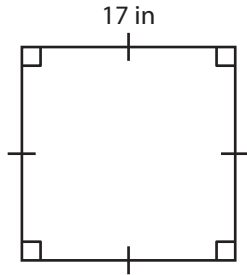


Area of a Quadrilateral

Answer Key

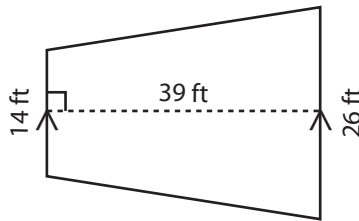
Find the area of each quadrilateral.

1)



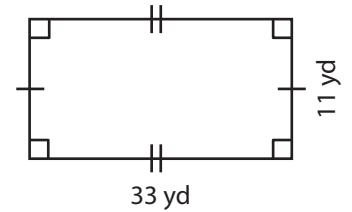
Area = 289 in²

2)



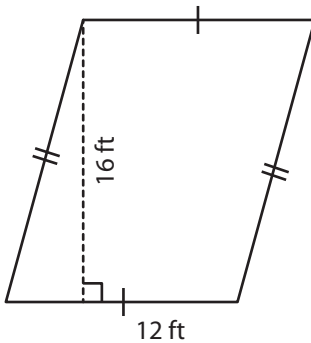
Area = 780 ft²

3)



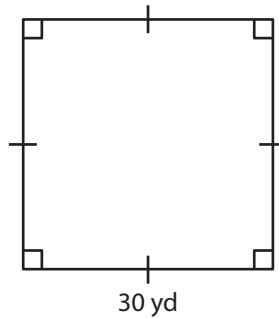
Area = 363 yd²

4)



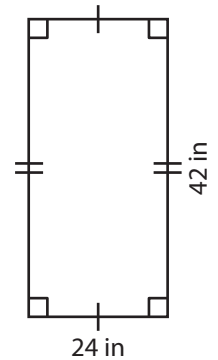
Area = 192 ft²

5)



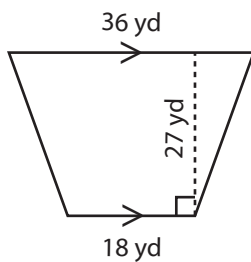
Area = 900 yd²

6)



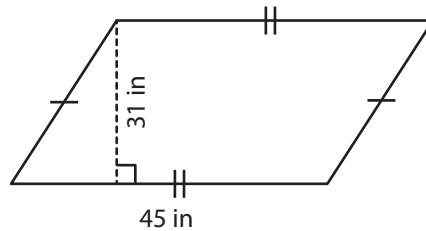
Area = 1,008 in²

7)



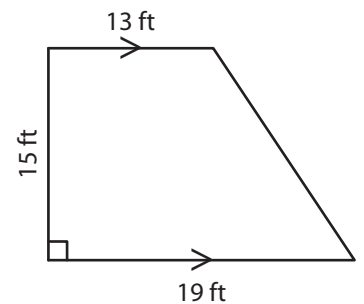
Area = 729 yd²

8)



Area = 1,395 in²

9)



Area = 240 ft²