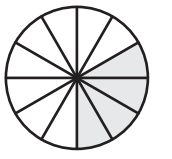


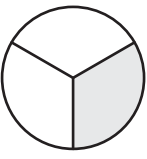
Simplifying Fractions

Simplify each fraction using the given models.

1



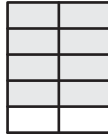
=



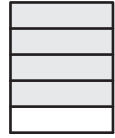
=

$\frac{4}{12}$ = _____

2



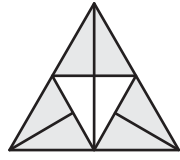
=



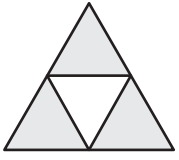
=

$\frac{8}{20}$ = _____

3



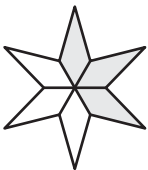
=




=

$\frac{6}{8}$ = _____

4



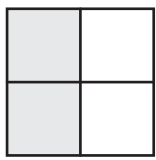
=



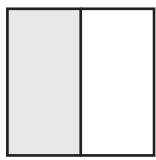
=

$\frac{3}{6}$ = _____

5




=




=

$\frac{2}{4}$ = _____

6



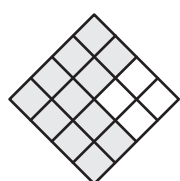
=



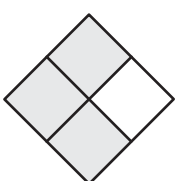
=

$\frac{10}{14}$ = _____

7



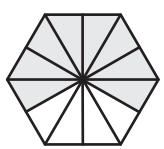
=



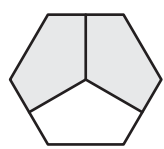
=

$\frac{12}{16}$ = _____

8



=



=

$\frac{8}{12}$ = _____