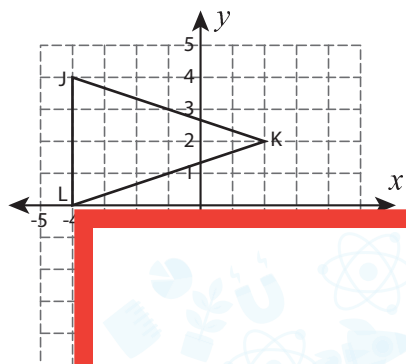


Rotation | Writing the Coordinates

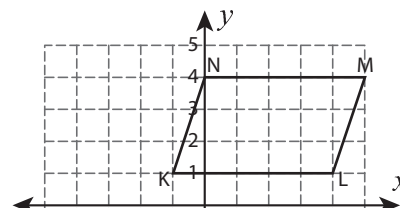
Graph the image of each figure after rotating it about the origin. Also write the coordinates of the image.

1) 180° rotation



J'	
K'	

2) 90° counterclockwise rotation



K'	
L'	

Preview

Become a member to unlock
unrestricted access to both printable
and online worksheets.

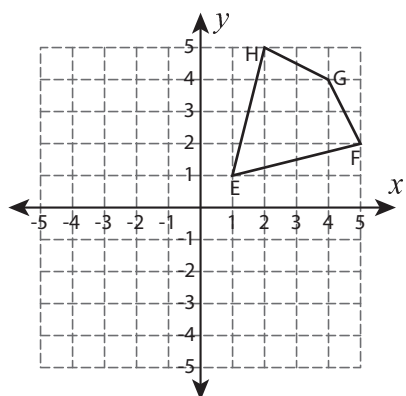


www.tutoringhour.com

3) 90°

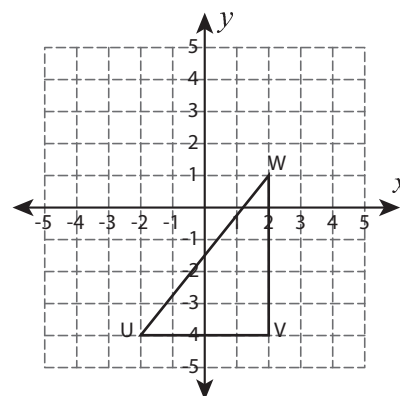


5) 90° counterclockwise rotation



E'	
F'	
G'	
H'	

6) 90° clockwise rotation



U'	
V'	
W'	