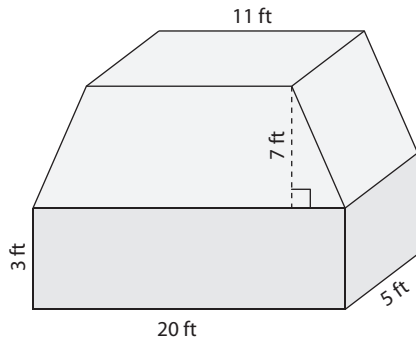


# Volume of Composite Shapes

Answer Key

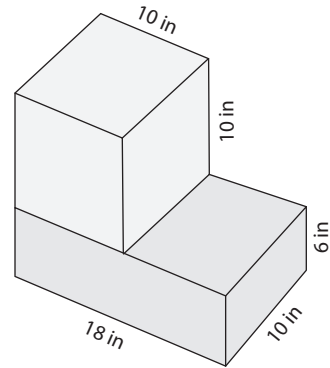
Find the volume of each solid shape. Round your answer to two decimal places. (Use 3.14 for  $\pi$ .)

1)



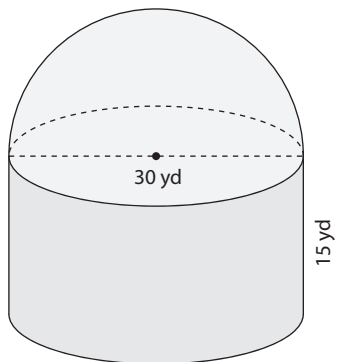
**842.5 ft<sup>3</sup>**

2)



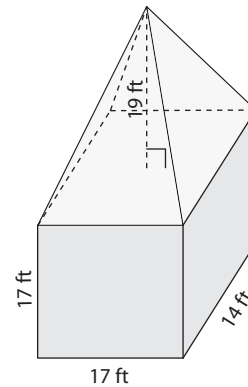
**2,080 in<sup>3</sup>**

3)



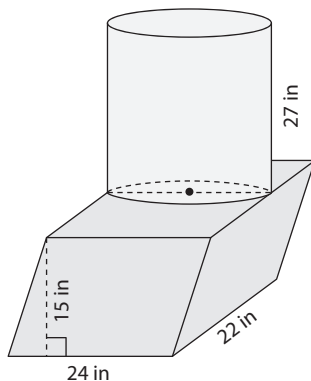
**17,662.5 yd<sup>3</sup>**

4)



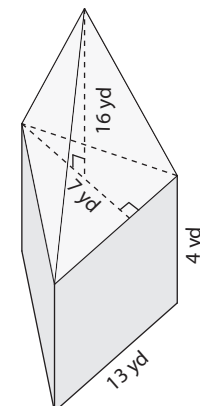
**5,553.33 ft<sup>3</sup>**

5)



**20,128.32 in<sup>3</sup>**

6)



**424.67 yd<sup>3</sup>**