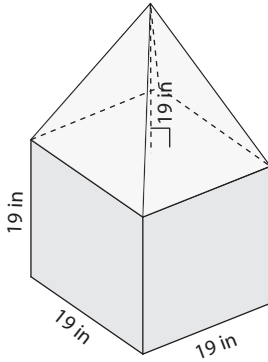


Volume of Composite Shapes

Answer Key

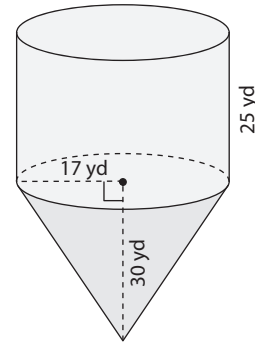
Find the volume of each solid shape. Round your answer to two decimal places. (Use 3.14 for π .)

1)



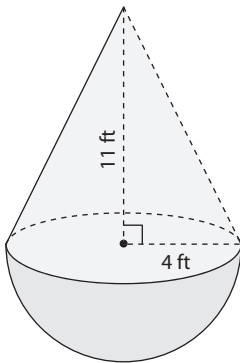
9,145.33 in³

2)



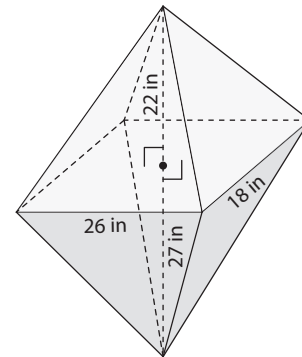
31,761.1 yd³

3)



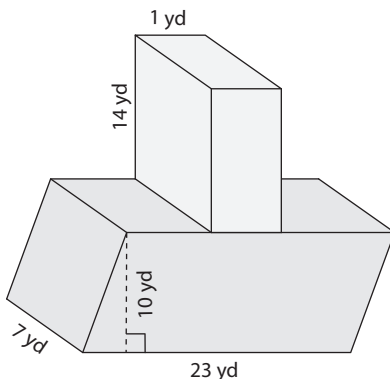
318.19 ft³

4)



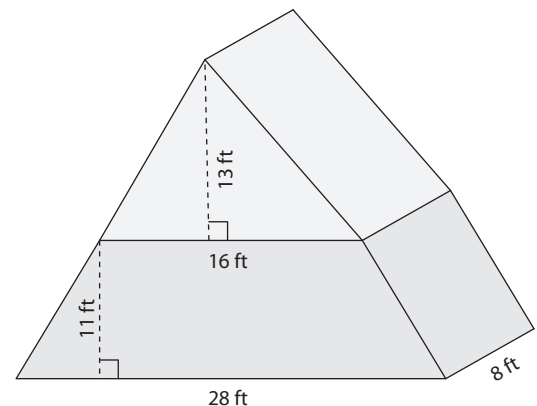
7,644 in³

5)



1,708 yd³

6)



2,768 ft³