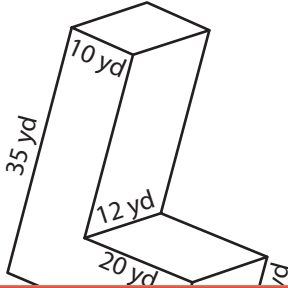


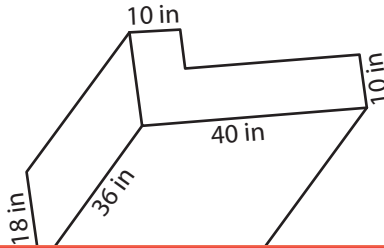
# Volume of L-Blocks

Find the volume of each L - block.

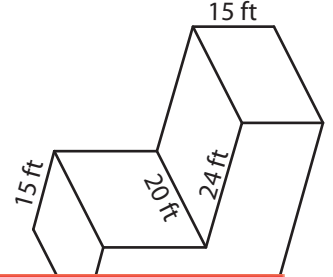
1)



2)




3)



4)

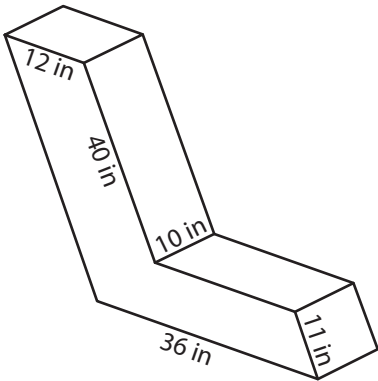
# Preview

Become a member to unlock  
unrestricted access to both printable  
and online worksheets.



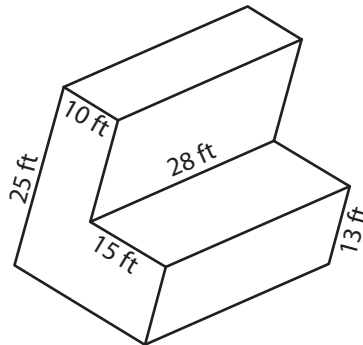
[www.tutoringhour.com](http://www.tutoringhour.com)

7)



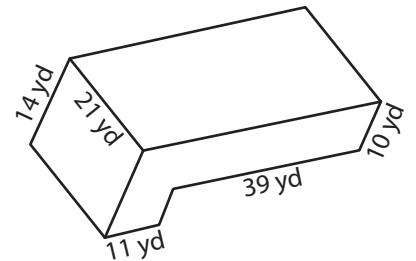
Volume = \_\_\_\_\_

8)



Volume = \_\_\_\_\_

9)



Volume = \_\_\_\_\_