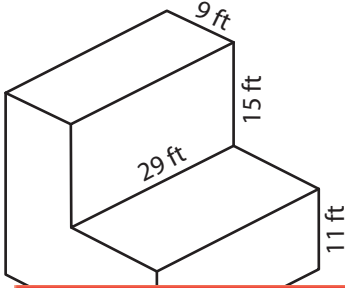


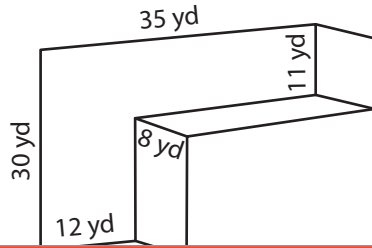
# Volume of L-Blocks

Find the volume of each L - block.

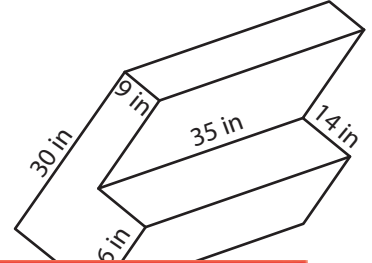
1)



2)



3)



# Preview

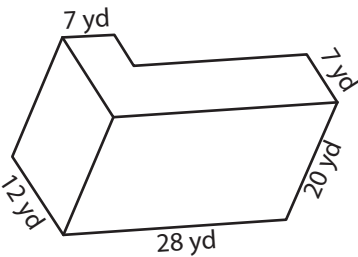
Become a member to unlock  
unrestricted access to both printable  
and online worksheets.



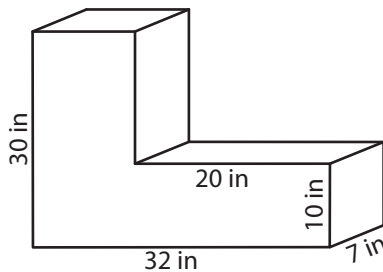
www.tutoringhour.com

4)

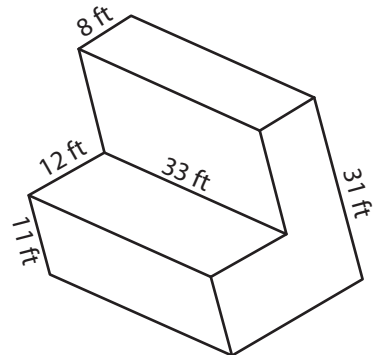
7)



8)



9)



Volume = \_\_\_\_\_

Volume = \_\_\_\_\_

Volume = \_\_\_\_\_