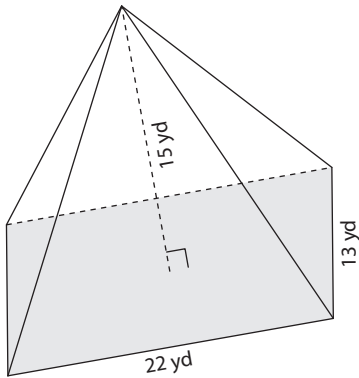


Volume of a Pyramid

Answer Key

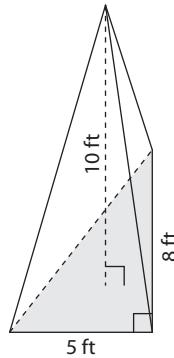
Find the volume of each pyramid. Round your answer to two decimal places.

1)



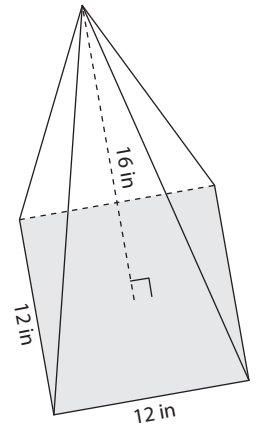
$$1,430 \text{ yd}^3$$

2)



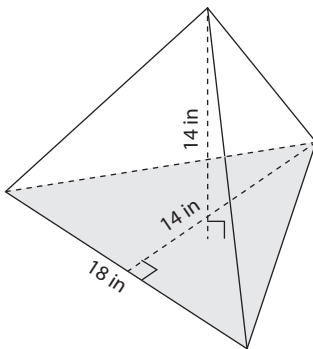
$$66.67 \text{ ft}^3$$

3)



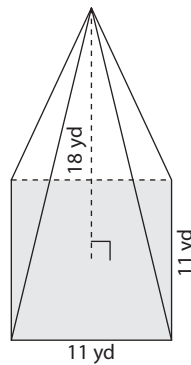
$$768 \text{ in}^3$$

4)



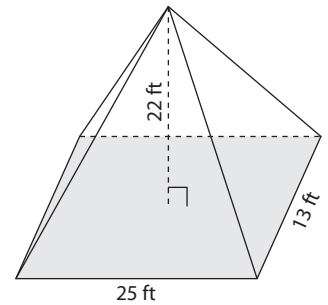
$$588 \text{ in}^3$$

5)



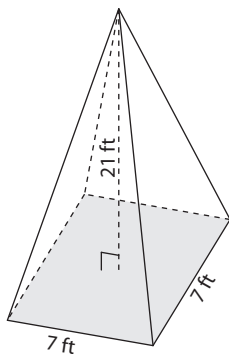
$$726 \text{ yd}^3$$

6)



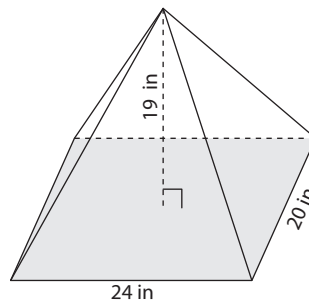
$$2,383.33 \text{ ft}^3$$

7)



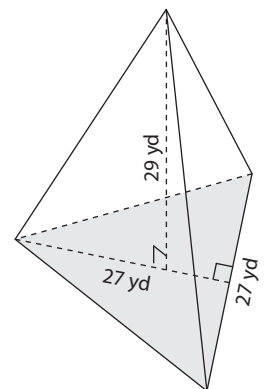
$$343 \text{ ft}^3$$

8)



$$3,040 \text{ in}^3$$

9)



$$3,523.5 \text{ yd}^3$$