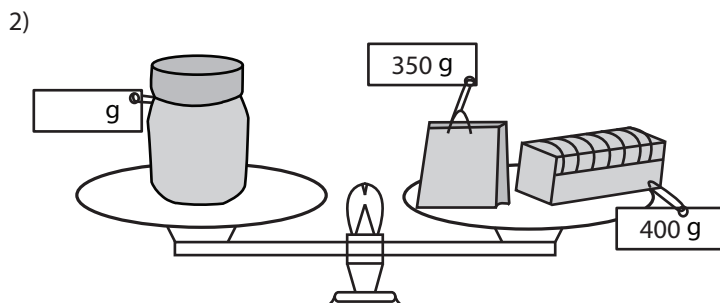
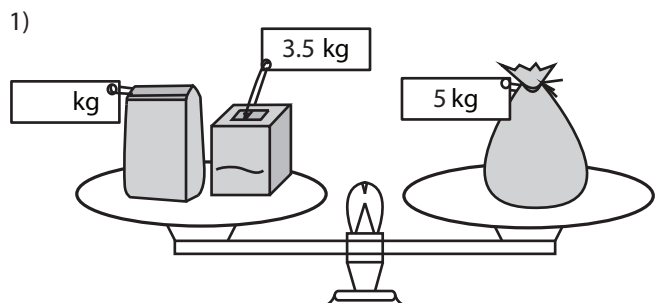


Balancing Scales | KG and G

Calculate the unknown weight to balance each scale.



3)

Preview

Become a member to unlock
unrestricted access to both printable
and online worksheets.

4 kg

kg

g

www.tutoringhour.com

